



## CHẾCH HÀN INOX 304

NHÃN HIỆU  
TÊN SẢN PHẨM

SPI  
CO HÀN 45° INOX ASTM A 403 ANSI B 16.9

Kiểu Nối

Hàn đối đầu / Butt - Welding ( B/W )

Chật Liệu

Thép không gỉ / Inox ASTM A 403/ASME SA403/  
SUS 304L, SUS 316LW

Tiêu Chuẩn

JIS B 2312 / JIS B 2313 ASME / ANSI B 16.9

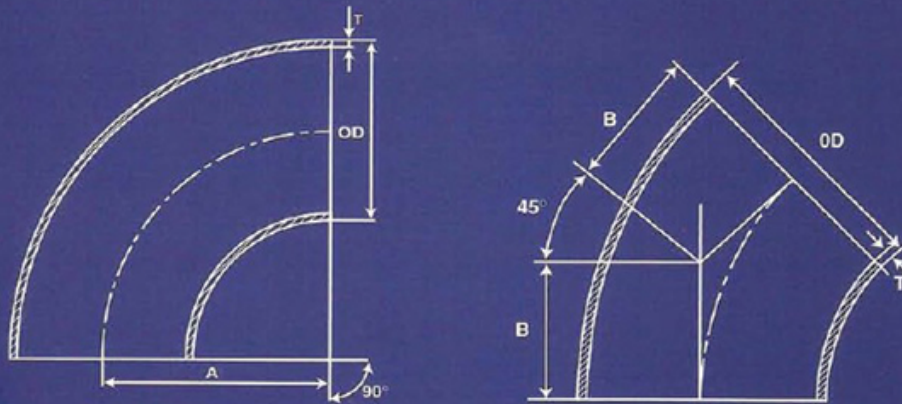
Độ Dày

SCH 10s ~ SCH 40s ~ SCH 80s

Kích Cỡ	½" inch → 12" inch ~ ( 21.3 mm → 323.9 mm )
Tình Trạng	Hàng có sẵn, mới 100%
Xuất Xứ	Malaysia
Đơn Giá	Xin liên hệ



**ASTM A403 ASME B16.9**



**90° Long Radius Elbows**

Unit: inch

Nominal Pipe Size	Outside Diameter (OD)	Wall Thickness (T)		Center to End (A)	Weights (Kg)	
		Sch 10S	Sch 40S		Sch 10S	Sch 40S
1/2	0.840	0.083	0.109	1.500	0.06	0.076
3/4	1.050	0.083	0.113	1.125	0.07	0.076
1	1.315	0.109	0.133	1.500	0.156	0.160
1 1/4	1.660	0.109	0.140	1.875	0.201	0.253
1 1/2	1.900	0.109	0.145	2.250	0.279	0.363
2	2.375	0.109	0.154	3.000	0.470	0.651
2 1/2	2.875	0.120	0.203	3.750	0.786	1.290
3	3.500	0.120	0.216	4.500	1.160	2.020
4	4.500	0.120	0.237	6.000	2.000	3.840
5	5.563	0.134	0.258	7.500	3.460	6.510
6	6.625	0.134	0.280	9.000	4.960	10.100
8	8.625	0.148	0.322	12.000	9.550	20.300

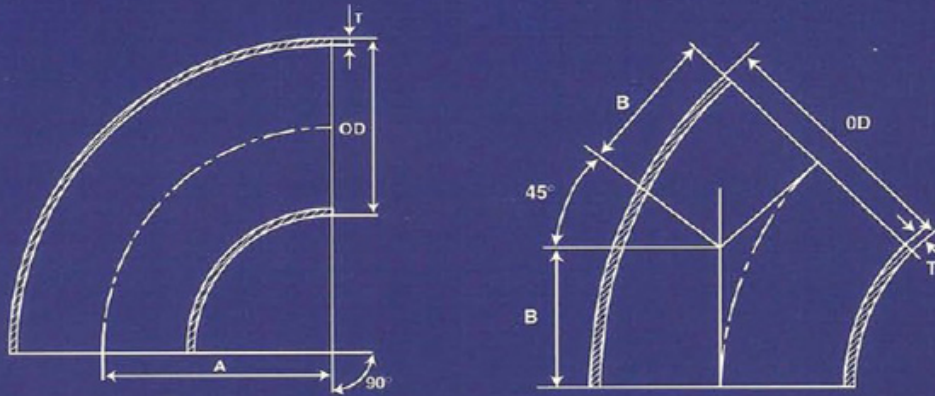
**45° Long Radius Elbows**

Unit: inch

Nominal Pipe Size	Outside Diameter (OD)	Wall Thickness (T)		Center to End (B)	Weights (Kg)	
		Sch 10S	Sch 40S		Sch 10S	Sch 40S
1/2	0.840	0.083	0.109	0.625	0.030	0.038
3/4	1.050	0.083	0.113	0.438	0.030	0.038
1	1.315	0.109	0.133	0.875	0.078	0.095
1 1/4	1.660	0.109	0.140	1.000	0.101	0.126
1 1/2	1.900	0.109	0.145	1.125	0.140	0.182
2	2.375	0.109	0.154	1.375	0.235	0.326
2 1/2	2.875	0.120	0.203	1.750	0.393	0.645
3	3.500	0.120	0.216	2.000	0.580	1.010
4	4.500	0.120	0.237	2.500	1.000	1.920
5	5.563	0.134	0.258	3.125	1.730	3.260
6	6.625	0.134	0.280	3.750	2.480	5.050
8	8.625	0.148	0.322	5.000	4.740	10.20



# JIS B2312



## 90° Long Radius Elbows

Unit: mm

Nominal Pipe Size	Outside Diameter (OD)	Wall Thickness (T)				Center to End (A)	Weights (Kg)				
		5S	10S	20S	40S		5S	10S	20S	40S	
15	1/2	21.7	1.65	2.1	2.5	2.8	38.1	0.05	0.06	0.07	0.08
20	3/4	27.2	1.65	2.1	2.5	2.9	38.1	0.06	0.09	0.10	0.11
25	1	34.0	1.65	2.8	3.0	3.4	38.1	0.08	0.13	0.14	0.15
32	1 1/4	42.7	1.65	2.8	3.0	3.6	47.6	0.15	0.21	0.22	0.25
40	1 1/2	48.6	1.65	2.8	3.0	3.7	57.2	0.20	0.30	0.32	0.39
50	2	60.5	1.65	2.8	3.5	3.9	76.2	0.33	0.56	0.60	0.75
65	2 1/2	76.3	2.1	3.0	3.5	5.2	95.3	0.71	0.75	1.06	1.45
80	3	89.1	2.1	3.0	4.0	5.5	114.3	0.92	1.28	1.53	2.25
100	4	114.3	2.1	3.0	4.0	6.0	152.4	1.89	2.18	2.73	4.06
125	5	139.8	2.8	3.4	5.0	6.6	190.5	(3.96)	3.96	5.21	6.83
150	6	165.2	2.8	3.4	5.0	7.1	228.6	(5.75)	5.75	7.71	10.54
200	8	216.3	2.8	4.0	6.5	8.2	304.8	(10.30)	10.30	18.40	20.20

## 45° Long Radius Elbows

Unit: mm

Nominal Pipe Size	Outside Diameter (OD)	Wall Thickness (T)				Center to End (B)	Weights (Kg)				
		5S	10S	20S	40S		5S	10S	20S	40S	
15	1/2	21.7	1.65	2.1	2.5	2.8	15.8	0.02	0.03	0.04	0.04
20	3/4	27.2	1.65	2.1	2.5	2.9	15.8	0.03	0.03	0.04	0.04
25	1	34.0	1.65	2.8	3.0	3.4	15.8	0.05	0.10	0.10	0.11
32	1 1/4	42.7	1.65	2.8	3.0	3.6	19.7	0.09	0.11	0.11	0.18
40	1 1/2	48.6	1.65	2.8	3.0	3.7	23.7	0.12	0.18	0.18	0.23
50	2	60.5	1.65	2.8	3.5	3.9	31.6	0.15	0.29	0.30	0.39
65	2 1/2	76.3	2.1	3.0	3.5	5.2	39.5	0.34	0.47	0.50	0.79
80	3	89.1	2.1	3.0	4.0	5.5	47.3	0.50	0.68	0.75	1.12
100	4	114.3	2.1	3.0	4.0	6.0	63.1	0.94	1.09	1.30	1.98
125	5	139.8	2.8	3.4	5.0	6.6	78.9	(1.86)	1.86	2.49	3.45
150	6	165.2	2.8	3.4	5.0	7.1	94.7	(2.76)	2.76	3.54	5.50
200	8	216.3	2.8	4.0	6.5	8.2	126.3	(5.37)	5.37	8.05	10.90

## Sản phẩm khác



—

[RẮC CO REN THÉP RÈN A105](#)

[Xem thêm RẮC CO REN THÉP RÈN A105](#)



—

[CÀ RÁ REN ÁP LỰC INOX 304L](#)

[Xem thêm CÀ RÁ REN ÁP LỰC INOX 304L](#)



—

[MẶT BÍCH RỔNG INOX 304](#)

[Xem thêm MẶT BÍCH RỔNG INOX 304](#)



—

[MẶT BÍCH INOX 304](#)

[Xem thêm MẶT BÍCH INOX 304](#)



—

## [MẶT BÍCH MÙ THÉP SS400 DIN 2527 PN40](#)

[Xem thêm MẶT BÍCH MÙ THÉP SS400 DIN 2527 PN40](#)



—

## [MẶT BÍCH CỔ INOX 304 ANSI CLASS 150 LBS](#)

[Xem thêm MẶT BÍCH CỔ INOX 304 ANSI CLASS 150 LBS](#)

