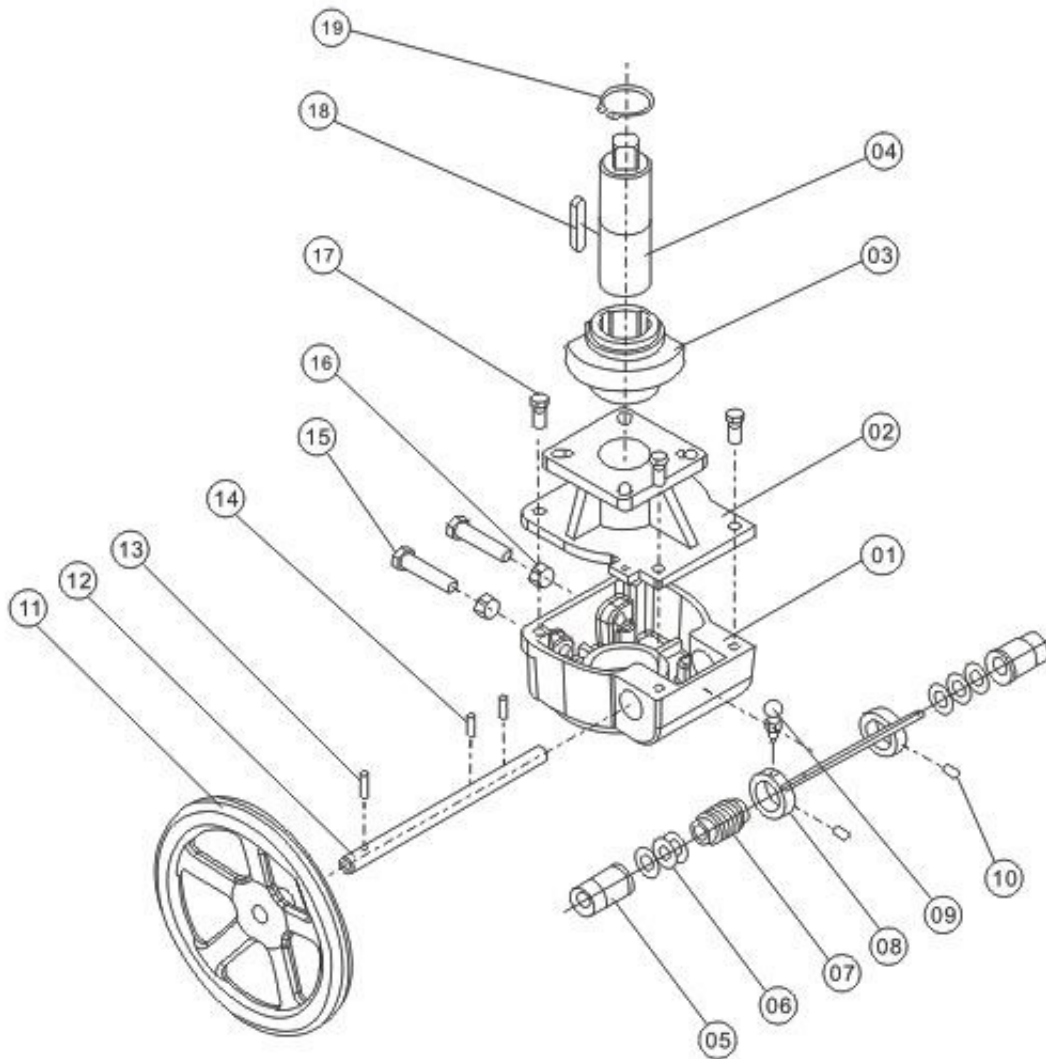




**Clutch manual gear**

- The manual gear is used for butterfly valve, ball valve and cock valve, together with pneumatic device to realize manual and pneumatic drive.
- There are two keyway apart 90 in the inner hole of gear, to choose relative position between gear operator and valve.
- Pull out the position pin and rotate off center device with 180° to realize pneumatic drive by positioning pin acted, or to realize manual drive in the opposite way.
- The gear operator is filled with lubricant and sealed with valve after installation with protection grade IP65



Item No	Quantity	Name	Material
01	1	Body	Alloy/Cast steel
02	1	Bonnet	Alloy/Cast steel
03	1	Gear	Ductile iron

04	1	Shaft	Cast steel
05	1	Eccentric bushing	Cast steel
06	1	Bearing assemblies	Bearing steel
07	1	Geat	Cast steel
08	1	Handle	Cast steel
09	1	Limit assemblies	Cast steel/Other
10	1	Set screws	Cast steel
11	1	Wheel	Cast steel
12	1	Geat stem	Steel chrome plating
13	1	Straight pin (wheel)	Cast steel
14	1	straight pin(gear)	Cast steel
15	1	Adjuster bolt	Stainless steel
16	1	Nut	Stainless steel
17	1	Bolt	Stainless steel
18	1	Flat key	Cast steel
19	1	Circlips	Spring steel

**Model                      Gear ratio                      Input torque N.m                      Output torque N.m                      Hand wheel dia                      Limit adju**

JTC26	26:1	60	300	Φ 200	± 5°
		60	500	Φ 200	± 5°
JTC38	38:1	75	600	Φ 250	± 5°
		90	700	Φ 300	± 5°
JTC54	54:1	100	1000	Φ 250	± 5°
		120	1200	Φ 300	± 5°
JTC80A	80:1	110	1600	Φ 300	± 5°
		140	2000	Φ 400	± 5°
JTC78	78:1	198	3100	Φ 600	± 5°
JTC320	320:1	160	6000	Φ 500	± 5°
JTC410	410:1	210	15000	Φ 700	± 5°

**Sản phẩm khác**



—

## [Pneumatic Actuator - Double Acting](#)

[Xem thêm Pneumatic Actuator - Double Acting](#)



—

## [Pneumatic Actuator - Spring Return](#)

[Xem thêm Pneumatic Actuator - Spring Return](#)



—

## [Quarter Turn Electric Actuator](#)

[Xem thêm Quarter Turn Electric Actuator](#)



—

## [Spring Return Electric Actuator](#)

[Xem thêm Spring Return Electric Actuator](#)



—

## [Linear Electric Actuator](#)

[Xem thêm Linear Electric Actuator](#)



—

## [Air Filter Regulator](#)

[Xem thêm Air Filter Regulator](#)