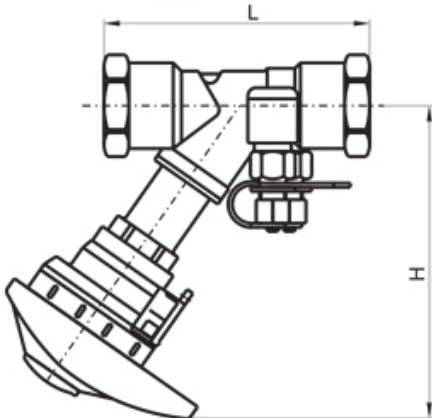




1209-BT&BTM BRONZE FIXED ORIFICE

Fig. 1209-BTM
Threaded BS21(ISO7) for Single Unit Systems Conforms to BS7350



Specification

Y-pattern globe valves having characterised throttling disk tending towards equal percentage performance. Integral square edged entrance orifice plate and insertion test points fitted. Double regulating feature allows valve opening to be set with an Allen key. Operation of the valve is by means of the Microset hand wheel.

End Connection

Size 1/2" to 3/4": threaded to BS 2779(ISO7)

Size 1" to 2": threaded to BS 10266(ISO7)

Also available threaded to ANSI B1.20.1

Adaptor kits for use with copper tube also available

Application

This single unit-commissioning valve is designed for installation in circuits where combined functions of regulation and flow measurement are required. Accuracy of flow measurement is $\pm 5\%$ across all hand wheel settings.

Pressure Temperature Ratings

| | | | |
|----------------|------------|------|------|
| Temperature °c | -10 to 100 | 110 | 120 |
| Pressure (Bar) | 25 | 23.4 | 21.8 |

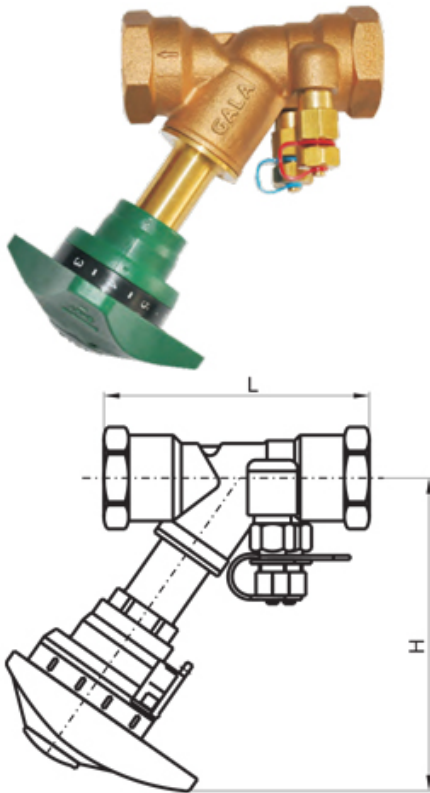
Materials

| Part | Material | Specification | Part | Material | Specification |
|---------------|----------|------------------|----------------|------------|-------------------|
| Body | Bronze | BSEN1982 CC491K | Disc(15-20) | Brass | BSEN12165 CW602N |
| Bonnet(15-32) | Brass | BSEN12165 CW602N | Disc(25-50) | Brass+PTFE | BSEN 12165 CW602N |
| Bonnet(40-50) | Bronze | BSEN1982 CC491K | Orifice Insert | Brass | BSEN 12165 CW602N |
| Stem | Brass | BSEN12165 CW602N | Hand Wheel | Plastic | Commercial |

Dimensions, Coefficients

| Nom. Size | Dimensions(mm) | Flow | | | |
|-----------|----------------|------|-----|-------|-------|
| | | Kv | Kvs | | |
| 1/2 | DN15 | 87 | 113 | 1.72 | 2.20 |
| 3/4 | DN20 | 96 | 114 | 2.97 | 4.60 |
| 1 | DN25 | 100 | 135 | 4.75 | 8.50 |
| 1 1/4 | DN32 | 114 | 136 | 10.25 | 16.70 |
| 1 1/2 | DN40 | 125 | 151 | 16.83 | 26.10 |
| 2 | DN50 | 146 | 152 | 27.26 | 43.20 |

Fig. 1209-BT
NPT Threaded ends for Single Unit Systems Conforms to BS7350



Specification

Y-pattern globe valves having characterised throttling disk tending towards equal percentage performance. Integral square edged entrance orifice plate and insertion test points fitted. Double regulating feature allows valve opening to be set with an Allen key. Operation of the valve is by means of the Microset hand wheel.

End Connection

Size 1/2" to 3/4": threaded to BS 2779(ISO7)

Size 1" to 2": threaded to BS 10266(ISO7)

Also available threaded to ANSI B1.20.1

Adaptor kits for use with copper tube also available

Application

This single unit-commissioning valve is designed for installation in circuits where combined functions of regulation and flow measurement are required. Accuracy of flow measurement is $\pm 5\%$ across all hand wheel settings.

Pressure Temperature Ratings

| | | | |
|----------------|------------|------|------|
| Temperature °c | -10 to 100 | 110 | 120 |
| Pressure (Bar) | 25 | 23.4 | 21.8 |

Materials

| Part | Material | ASTM Specification | Part | Material | ASTM Specification |
|---------------|----------|--------------------|----------------|------------|--------------------|
| Body | Bronze | B62 C83600 | Disc(15-20) | Brass | B453 C35330 |
| Bonnet(15-32) | Brass | B453 C35330 | Disc(25-50) | Brass+PTFE | B453 C35330 |
| Bonnet(40-50) | Bronze | B62 C83600 | Orifice Insert | Brass | B453 C35330 |
| Stem | Brass | B453 C35330 | Hand Wheel | Plastic | Commercial |

Dimensions, Coefficients

| Nom. Size | Dimensions(mm) | L | H | Flow Kv | Kvs |
|-----------|----------------|-----|-----|---------|-------|
| | | | | | |
| 1/2 | DN15 | 87 | 113 | 1.72 | 2.20 |
| 3/4 | DN20 | 96 | 114 | 2.97 | 4.60 |
| 1 | DN25 | 100 | 135 | 4.75 | 8.50 |
| 1 1/4 | DN32 | 114 | 136 | 10.25 | 16.70 |
| 1 1/2 | DN40 | 125 | 151 | 16.83 | 26.10 |
| 2 | DN50 | 146 | 152 | 27.26 | 43.20 |

Sản phẩm khác



—

[1210-DF&DFM IRON VARIABLE ORIFICE](#)

[Xem thêm 1210-DF&DFM IRON VARIABLE ORIFICE](#)



—

[1209-DF&DFM IRON FIXED ORIFICE](#)

[Xem thêm 1209-DF&DFM IRON FIXED ORIFICE](#)

