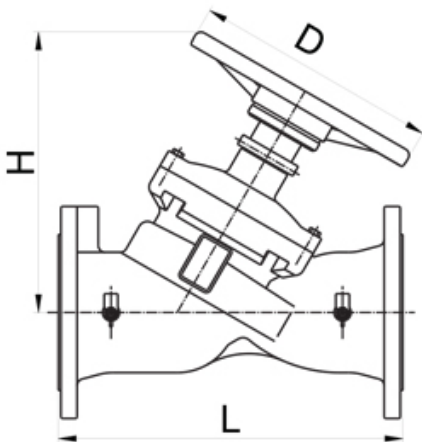




1210-DF&DFM IRON VARIABLE ORIFICE

Fig. 1210-DFM
 Flanged PN16 or PN25 for Single Unit Systems Conforms to BS7350



Specification

These are Y-pattern globe valves fitted with two pressure test valves to provide flow measurement, regulation and isolation. Valves conform to requirements of BS7350.

Application

Primarily used in injection or other circuits requiring a double regulating valve for systems balancing. Accuracy of flow measurement is $\pm 5\%$ at all open positions of the valve. Some reduction in accordance with BS 7350.

Pressure/Temperature Ratings

| | PN16 | PN25 |
|--------------------------------|-----------------------|-------------------------|
| Temperature $^{\circ}\text{C}$ | -10 to 120 | |
| Working Pressure(Bar) | 16 | 25 |
| Test Pressure(Bar) | Shell:24 Seat:17.6 | Shell:37.5 Seat:27.5 |

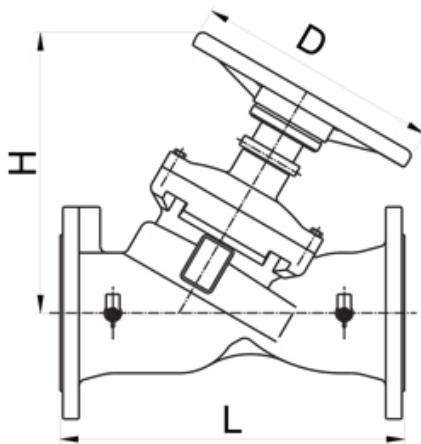
Materials

| Part | Material | Specification |
|-------------------|---------------------|-----------------|
| Body | Ductile | EN-JL 1050 |
| Bonnet | Ductile | EN-JL 1050 |
| Stem | Stainless Steel 410 | BS970 410S21 |
| Disc | EPDM Coated DI | EN-JL 1050 |
| Gland (65-150mm) | Brass | EN 12165 CW617N |
| Gland (200-300mm) | Ductile | EN-JL 1050 |
| Stem Nut | Brass | EN 12165 CW617N |
| Hand Wheel | Ductile | EN-JL 1050 |
| Test Valve | Brass | EN 12165 CW602N |
| Packing | Graphite | Non-Asbestos |

Dimensions, Coefficients

| Nom. Size | | Dimensions(mm) | | | Flow | Head loss |
|-----------------|-------|----------------|-----|-----|-------|-----------|
| | | L | H | D | Kv | K |
| 2 $\frac{1}{2}$ | DN65 | 290 | 265 | 200 | 83.8 | 3.78 |
| 3 | DN80 | 310 | 270 | 200 | 119.5 | 5.24 |
| 4 | DN100 | 350 | 310 | 240 | 178.7 | 9.53 |
| 5 | DN125 | 400 | 340 | 290 | 272.7 | 6.98 |
| 6 | DN150 | 480 | 340 | 290 | 380 | 5.35 |
| 8 | DN200 | 600 | 537 | 350 | 608 | 6.26 |
| 10 | DN250 | 730 | 570 | 420 | 1292 | 5.57 |
| 12 | DN300 | 850 | 690 | 420 | 1791 | 6.43 |

Fig. 1210-DF
ANSI Flanged Ends for Single Unit Systems Conforms to BS7350



Specification

These are Y-pattern globe valves fitted with two pressure test valves to provide flow measurement, regulation and isolation. Valves conform to requirements of BS7350.

Application

Primarily used in injection or other circuits requiring a double regulating valve for systems balancing. Accuracy of flow measurement is $\pm 5\%$ at all open positions of the valve. Some reduction in accordance with BS 7350.

Pressure/Temperature Ratings

| | PN16 | PN25 |
|------------------------|-----------------------|-------------------------|
| Temperature °C | -10 to 120 | |
| Working Pressure (Bar) | 16 | 25 |
| Test Pressure (Bar) | Shell:24 Seat:17.6 | Shell:37.5 Seat:27.5 |

Materials

| Part | Material | ASTM Specification |
|-------------------|---------------------|--------------------|
| Body | Ductile | A536 65-45-12 |
| Bonnet | Ductile | A536 65-45-12 |
| Stem | Stainless Steel 410 | AISI 410 |
| Disc | EPDM Coated DI | A536 65-45-12 |
| Gland (65-150mm) | Brass | B124 C37700 |
| Gland (200-300mm) | Ductile | A536 65-45-12 |
| Stem Nut | Brass | B124 C37700 |
| Hand Wheel | Ductile | A536 65-45-12 |
| Test Valve | Brass | B453 C35330 |
| Packing | Graphite | Non-Asbestos |

Dimensions, Coefficients

| Nom. Size | | Dimensions (mm) | | | Flow Kv | Head loss K |
|-------------------------------|-------|-----------------|-----|-----|---------|-------------|
| | | L | H | D | | |
| 2 ¹ / ₂ | DN65 | 290 | 265 | 200 | 83.8 | 3.78 |
| 3 | DN80 | 310 | 270 | 200 | 119.5 | 5.24 |
| 4 | DN100 | 350 | 310 | 240 | 178.7 | 9.53 |
| 5 | DN125 | 400 | 340 | 290 | 272.7 | 6.98 |
| 6 | DN150 | 480 | 340 | 290 | 380 | 5.35 |
| 8 | DN200 | 600 | 537 | 350 | 608 | 6.26 |
| 10 | DN250 | 730 | 570 | 420 | 1292 | 5.57 |
| 12 | DN300 | 850 | 690 | 420 | 1791 | 6.43 |

Sản phẩm khác



—

[1209-DF&DFM IRON FIXED ORIFICE](#)

[Xem thêm 1209-DF&DFM IRON FIXED ORIFICE](#)



—

[1209-BT&BTM BRONZE FIXED ORIFICE](#)

[Xem thêm 1209-BT&BTM BRONZE FIXED ORIFICE](#)

