



KẸP CLAMP VI SINH INOX 304/316 HÀN

Products

Brand

Body Material

Rubber Material

Finishing

Size

CLAMP UNION

CSE

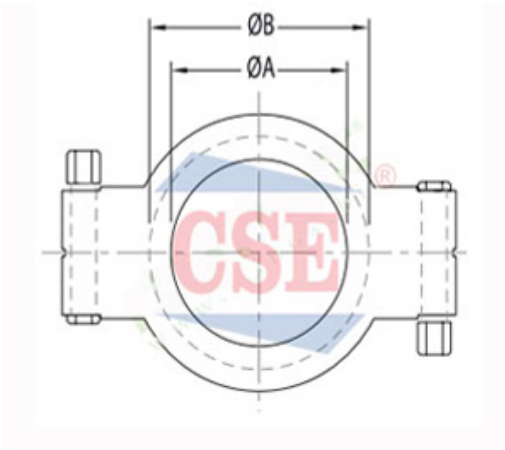
Stainless Steel 304 or 304L, 316 & 316L

EPDM, NBR, Silicone, Viton, Teflon

Ra ≤ 0.4μm as machine

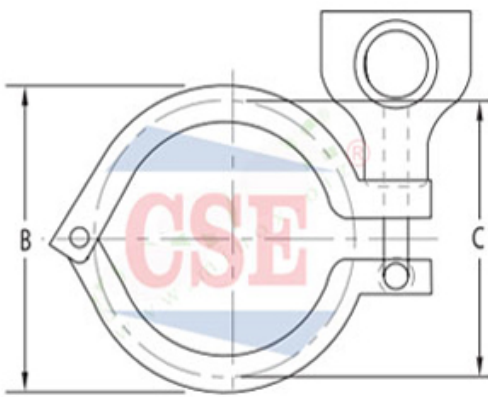
ISO 0.5" ~ 12", DIN DN10 ~ DN200

Clamp Union



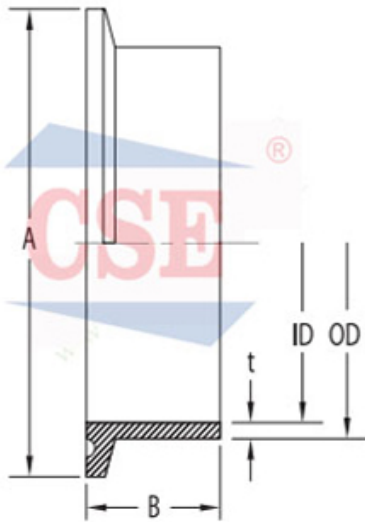
**High Pressure Clamp Ring
Dimension (mm)**

Size (Inch)	A	B
1.5"	43.3	52.0
2.0"	56.4	65.5
2.5"	69.5	79.0
3.0"	77.6	92.5
4.0"	108.9	120.5
6.0"	158.0	170.0
8.0"	222.5	237.5
10.0"	258.2	272.8
12.0"	309.0	327.6



**Clamp Union-Clamp Ring
Dimension (mm)**

Size (Inch)	B	C
0.5"	38.0	28.3
0.75"	38.0	28.3
1.0"	63.8	54.0
1.5"	63.8	54.0
2.0"	77.4	67.1
2.5"	90.4	81.0
3.0"	103.6	94.5
3.5"	118.3	109.0
4.0"	132.6	122.4
4.5"	143.5	134.0
5.0"	158.5	149.0
5.5"	168.2	159.0
6.0"	185.0	175.1
8.0"	236.0	225.9
10.0"	280.0	272.0
12.0"	333.0	323.0



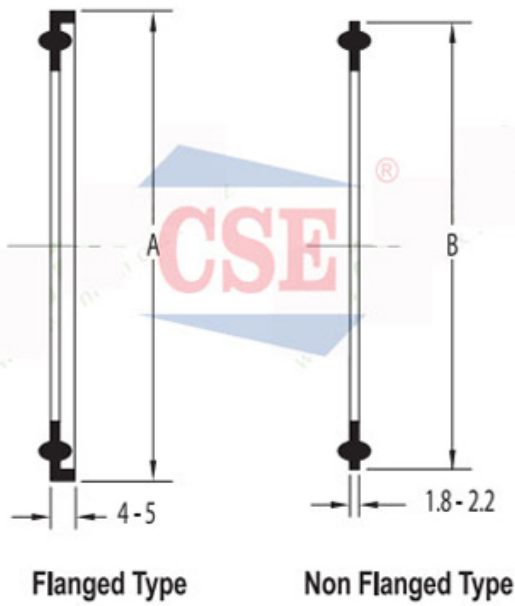
Clamp Union-Ferrule Dimension (mm)

Size (Inch)	OD / ID x t	A	B1	B2	B3
0.5"	12.7 / 9.7 x 1.5	25.2	12.7	21.5	28.6
0.75"	19.05 / 16.05 x 1.5	25.2	12.7	21.5	28.6
1.0"	25.4 / 22.4 x 1.5	50.5	12.7	21.5	28.6
1.5"	38.1 / 35.1 x 1.5	50.5	12.7	21.5	28.6
2.0"	50.8 / 47.8 x 1.5	64.0	12.7	21.5	28.6
2.5"	63.5 / 60.5 x 1.5	77.5	12.7	21.5	28.6
3.0"	76.2 / 73.2 x 1.5	91.0	12.7	21.5	28.6
3.5"	88.9 / 84.9 x 2.0	106.0	15.9	21.5	28.6
4.0"	101.6 / 97.6 x 2.0	119.0	15.9	21.5	28.6
4.5"	114.3 / 110.3 x 2.0	130.0	21.5	28.6	38.1
5.0"	127.0 / 123.0 x 2.0	144.5	21.5	28.6	38.1
5.5"	139.7 / 133.7 x 3.0	155.0	21.5	28.6	38.1
6.0"	152.4 / 146.7 x 2.85	167.0	21.5	28.6	38.1
8.0"	203.2 / 197.5 x 2.85	217.7	21.5	28.6	38.1
10.0"	254.0 / 247.1 x 3.45	268.5	21.5	28.6	38.1
12.0"	304.8 / 297.9 x 3.45	319.3	21.5	28.6	38.1

Clamp Union-Ferrule Blank Dimension (mm)

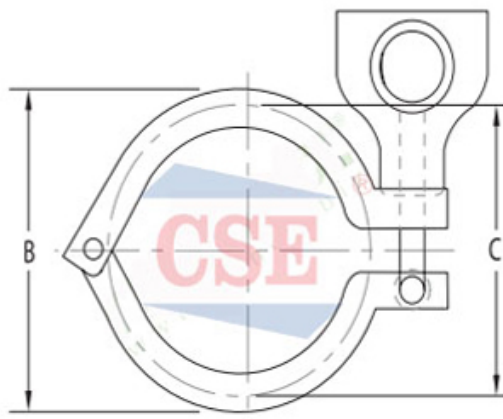
Size (Inch)	A	B
0.5"	25.2	5.5
0.75"	25.2	5.5
1.0"	50.5	6.4
1.5"	50.5	6.4
2.0"	64.0	6.4
2.5"	77.5	6.4
3.0"	91.0	6.4
3.5"	106.0	6.4
4.0"	119.0	7.9
4.5"	130.0	10.0
5.0"	144.5	10.0
5.5"	155.0	10.0
6.0"	167.0	11.1
8.0"	217.7	11.1





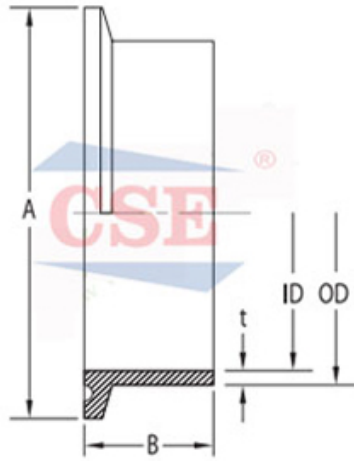
Clamp Union-Seal Ring Dimension (mm)

Size (Inch)	A	B
0.5"	27.2	25.2
0.75"	27.2	25.2
1.0"	52.2	50.5
1.5"	52.2	50.5
2.0"	66.0	64.0
2.5"	79.0	77.5
3.0"	93.0	91.0
3.5"	108.0	106.0
4.0"	121.0	119.0
4.5"	132.0	130.0
5.0"	146.5	144.5
5.5"	157.0	155.0
6.0"	169.0	167.0
8.0"	219.0	217.7
10.0"	271.5	268.5
12.0"	321.3	319.3



Clamp Union-Clamp Ring Dimension (mm)

Size (DIN)	B	C
10	43.0	37.0
15	43.0	37.0
20	43.0	37.0
25	63.8	54.0
32	63.8	54.0
40	63.8	54.0
50	77.4	67.1
65	103.6	94.5
80	118.3	109.0
100	132.6	122.4
125	168.2	159.0
150	196.2	187.0
200	246.7	237.5



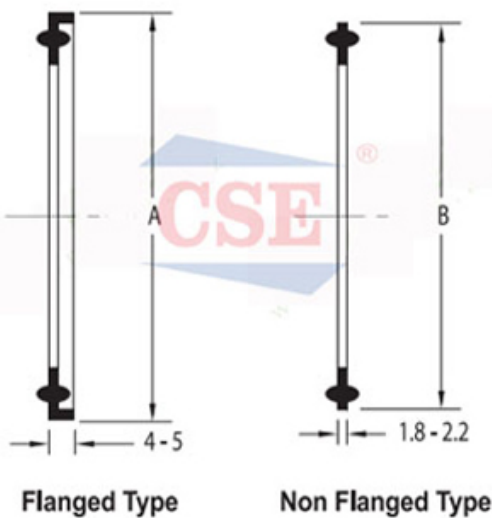
Clamp Union-Ferrule Dimension (mm)

Size (DIN)	OD / ID x t	A	B1	B2	B3
10	13 / 10 x 1.5	34.0	12.7	21.5	28.6
15	19 / 16 x 1.5	34.0	12.7	21.5	28.6
20	23 / 20 x 1.5	34.0	12.7	21.5	28.6
25	29 / 26 x 1.5	50.5	12.7	21.5	28.6
32	35 / 32 x 1.5	50.5	12.7	21.5	28.6
40	41 / 38 x 1.5	50.5	12.7	21.5	28.6
50	53 / 50 x 1.5	64.0	12.7	21.5	28.6
65	70 / 66 x 2.0	91.0	12.7	21.5	28.6
80	85 / 81 x 2.0	106.0	15.9	21.5	28.6
100	104 / 100 x 2.0	119.0	15.9	28.6	38.1
125	129 / 125 x 2.0	155.0	21.5	28.6	38.1
150	154 / 150 x 2.0	183.0	21.5	28.6	38.1
200	204 / 200 x 2.0	233.5	21.5	28.6	38.1



Clamp Union-Ferrule Blank Dimension (mm)

Size (DIN)	A	B
10	34.0	5.5
15	34.0	5.5
20	34.0	5.5
25	50.5	6.4
32	50.5	6.4
40	50.5	6.4
50	64.0	6.4
65	91.0	6.4
80	106.0	6.4
100	119.0	7.9
125	155.0	10.0
150	183.0	11.1
200	233.5	11.1



Clamp Union-Seal Ring Dimension (mm)

Size (DIN)	A	B
10	36.0	34.0
15	36.0	34.0
20	36.0	34.0
25	52.5	50.5
32	52.5	50.5
40	52.5	50.5
50	66.0	64.0
65	93.0	91.0
80	108.0	106.0
100	121.0	119.0
125	157.0	155.0
150	185.0	183.0
200	236.5	233.5

Sản phẩm khác



—

[VAN BƯỚC VI SINH TAY GẠT HÀN](#)

[Xem thêm VAN BƯỚC VI SINH TAY GẠT HÀN](#)



—

[VAN BƯỚC VI SINH INOX TAY RÚT NỐI HÀN TIÊU CHUẨN SMS](#)

[Xem thêm VAN BUỒM VI SINH INOX TAY RÚT NỐI HÀN TIÊU CHUẨN SMS](#)



—

[VAN BUỒM VI SINH INOX TAY RÚT NỐI HÀN TIÊU CHUẨN DIN](#)

[Xem thêm VAN BUỒM VI SINH INOX TAY RÚT NỐI HÀN TIÊU CHUẨN DIN](#)



—

[FERRULE VI SINH INOX 304/316 TIÊU CHUẨN DIN](#)

[Xem thêm FERRULE VI SINH INOX 304/316 TIÊU CHUẨN DIN](#)



—

[RẮC CO VI SINH INOX 304/316 TIÊU CHUẨN SMS](#)

[Xem thêm RẮC CO VI SINH INOX 304/316 TIÊU CHUẨN SMS](#)



—

[BẦU ĐỒNG TÂM VI SINH TIÊU CHUẨN DIN](#)

[Xem thêm BẦU ĐỒNG TÂM VI SINH TIÊU CHUẨN DIN](#)

