



## Lug Type Butterfly Valve Jaki

Giá bán: **Liên hệ**

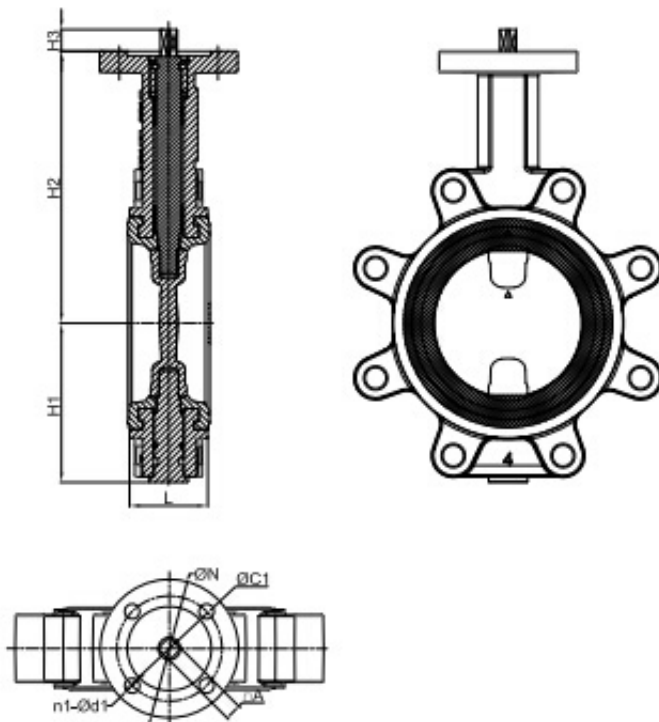
No. 112L

- Size: DN40-DN600
- Design Standard: ISO 5752, MSS SP-67, API609
- Face to Face: EN558-1 20 Series, ISO5752 20 Series, API609
- Flange drilling according to ISO7005-2 PN10/PN16, EN1092-2 PN10/PN16, ANSI 125/150, AS4087 PN14/PN16, JIS2211-2212
- Working Pressure: PN10, PN16, 200PSI, 250PSI, 300PSI, 10K

Material Specification:

Description	Material
Body	CI/DIW/CB/CF8/CF8M
Disc	DI/CF8/CF8M/C954
Stem	SS420/SS304/SS316/17-4PH
Seat	EPDM/NBR/VITON/PTFE
Bushing	PTFE
Circlip	Stainless Steel
Splint Collar	Stainless Steel
O Ring	Buna-N or EPDM
Y Ring	Buna-N or EPDM
Pin	Stainless Steel

Size DN40 to DN600



**Dimensions (mm):**

Size		L	H1	H2	H3	ISO 5211	ΦN	ΦC1	n1-Φ
mm	inch								
DN40	1 1/2"	33	52	126	14.5	F05	65	50	4-8
DN50	2"	43	57	143	14.5	F05	65	50	4-8
DN65	2 1/2"	46	68	155	14.5	F05	65	50	4-8
DN80	3"	46	82	160	14.5	F05	65	50	4-8
DN100	4"	52	100	181	14.5	F07	90	70	4-1
DN125	5"	56	112	194	20	F07	90	70	4-1
DN150	6"	56	126	202	20	F07	90	70	4-1
DN200	8"	60	162	240	28	F07	90	70	4-1
DN250	10"	68	193	272	28	F10	125	102	4-1
DN300	12"	78	236.5	318	28	F10	125	102	4-1
DN350	14"	78	267	368	45	F10	125	102	4-1
DN400	16"	102	298.6	400	51.2	F14	175	140	4-1
DN450	18"	114	318	422	51.2	F14	175	140	4-1
DN500	20"	127	355	480	64.2	F14	175	140	4-1
DN600	24"	154	444	562	70.2	F16	210	165	4-2

## Sản phẩm khác



—

[Van bướm tay gạt JAKI 112W](#)

[Xem thêm Van bướm tay gạt JAKI 112W](#)



—

## [Van bướm nhựa PVC - UPVC](#)

[Xem thêm Van bướm nhựa PVC - UPVC](#)



—

## [Van bướm tay gạt Jaki](#)

[Xem thêm Van bướm tay gạt Jaki](#)



—

## [Van bướm tay gạt Jaki](#)

[Xem thêm Van bướm tay gạt Jaki](#)



—

## [Van bướm tay gạt inox DN100 Jaki](#)

[Xem thêm Van bướm tay gạt inox DN100 Jaki](#)



—

[Van bướm nhựa tay gạt](#)

[Xem thêm Van bướm nhựa tay gạt](#)