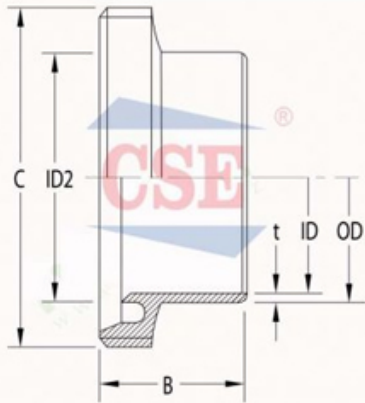




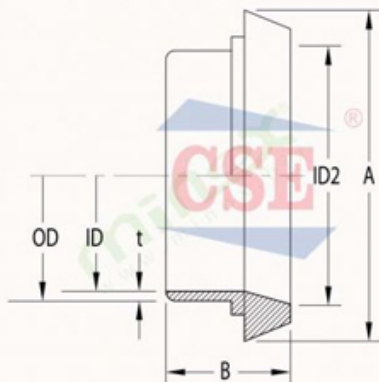
RẮC CO VI SINH INOX 304/316 NỐI HÀN

Products	DIN UNION
Brand	CSE
Body Material	Stainless Steel 304 or 304L, 316 & 316L
Rubber Material	EPDM, NBR, Silicone, Viton, Teflon
Finishing	Ra ≤ 0.4μm as machine
Size	ISO 1" ~ 4", DIN DN10 ~ DN150

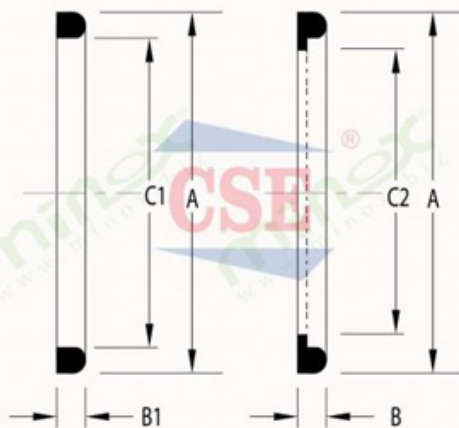
DIN Union (Inch)



DIN Union-Male Part Dimension (mm)				
Size (Inch)	OD / ID x t	C	B	ID2
1.0"	25.4/22.4 x 1.5	52 x 1/6	29.0	26.0
1.5"	38.1/35.1 x 1.5	65 x 1/6	33.0	38.0
2.0"	50.8/47.8 x 1.5	78 x 1/6	35.0	50.0
2.5"	63.5/60.5 x 1.5	95 x 1/6	40.0	66.0
3.0"	76.2/73.2 x 1.5	110 x 1/4	45.0	81.0
4.0"	101.6/97.6 x 2.0	130 x 1/4	54.0	100.0



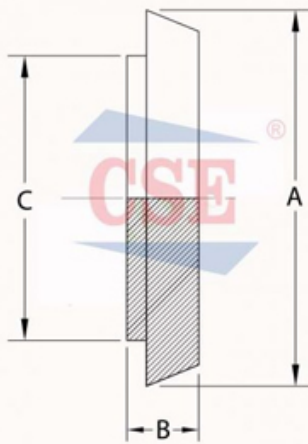
DIN Union-Liner Dimension (mm)				
Size (Inch)	OD / ID x t	A	B	ID2
1.0"	25.4/22.4 x 1.5	44.0	22.0	26.0
1.5"	38.1/35.1 x 1.5	56.0	26.0	38.0
2.0"	50.8/47.8 x 1.5	68.0	28.0	50.0
2.5"	63.5/60.5 x 1.5	86.0	32.0	66.0
3.0"	76.2/73.2 x 1.5	100.0	37.0	81.0
4.0"	101.6/97.6 x 2.0	121.0	44.0	100.0



DIN Union-Gasket Dimension (mm)					
Size (DIN)	A	B	B1	C1	C2
10	20.0	5.0	4.5	12.0	10.5
15	26.0	5.0	4.5	18.0	16.5
20	33.0	5.0	4.5	23.0	20.5
25	40.0	6.0	5.0	30.0	26.5
32	46.0	6.0	5.0	36.0	32.5
40	52.0	6.0	5.0	42.0	38.5
50	64.0	6.0	5.0	54.0	50.5
65	81.0	6.0	5.0	71.0	66.5
80	95.0	6.0	5.0	85.0	81.5
100	114.0	6.0	6.0	104.0	100.5
125	142.0	7.0	7.0	130.0	125.0
150	167.0	7.0	7.0	155.0	150.5

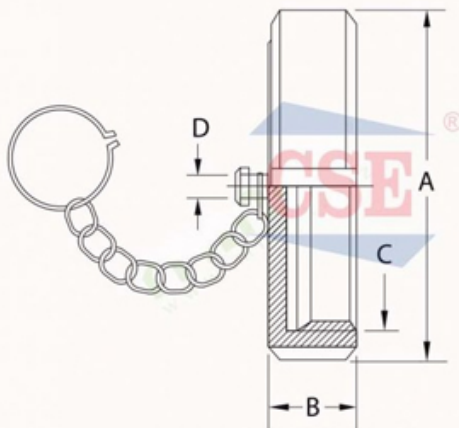
L - Type

DIN Union



**DIN Union-Blank
Dimension (mm)**

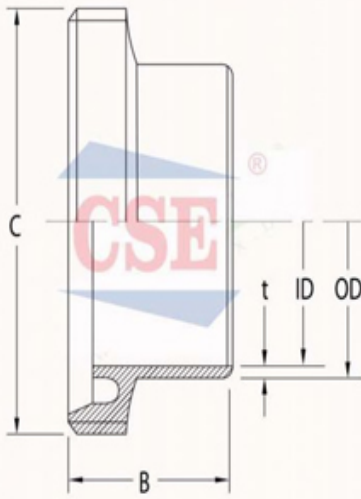
Size (DIN)	A	B	C
10	22.0	9.0	13.0
15	28.0	9.0	24.0
20	36.0	11.0	30.0
25	44.0	13.0	35.0
32	50.0	13.0	41.0
40	56.0	13.0	48.0
50	68.0	14.0	61.0
65	86.0	16.0	79.0
80	100.0	16.0	93.0
100	121.0	20.0	114.0
125	150.0	22.0	137.0
150	176.0	24.0	163.0



**DIN Union-Blank Nut With Chain
Dimension (mm)**

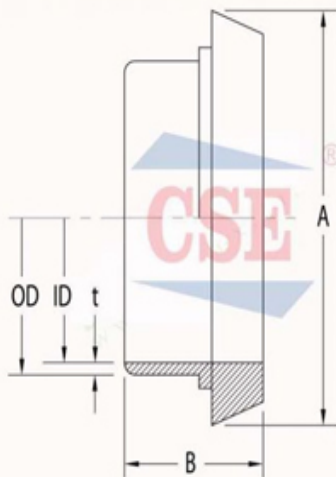
Size (DIN)	A	B	C	D
10	38.0	18.0	28 x 1/8	8.0
15	44.0	18.0	34 x 1/8	8.0
20	54.0	20.0	44 x 1/6	8.0
25	63.0	21.0	52 x 1/6	8.0
32	70.0	21.0	58 x 1/6	8.0
40	78.0	21.0	65 x 1/6	8.0
50	92.0	22.0	78 x 1/6	8.0
65	112.0	25.0	95 x 1/6	8.0
80	127.0	29.0	110 x 1/4	8.0
100	148.0	31.0	130 x 1/4	8.0
125	178.0	35.0	160 x 1/4	8.0
150	210.0	40.0	190 x 1/4	8.0

DIN Union



**DIN Union-Male Part
Dimension (mm)**

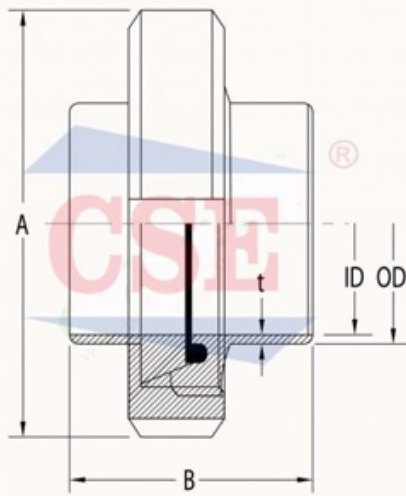
Size (DIN)	OD / ID x t	C	B
10	13/10 x 1.5	28 x 1/8	21.0
15	19/16 x 1.5	34 x 1/8	21.0
20	23/20 x 1.5	44 x 1/6	24.0
25	29/26 x 1.5	52 x 1/6	29.0
32	35/32 x 1.5	58 x 1/6	32.0
40	41/38 x 1.5	65 x 1/6	33.0
50	53/50 x 1.5	78 x 1/6	35.0
65	70/66 x 2.0	95 x 1/6	40.0
80	85/81 x 2.0	110 x 1/4	45.0
100	104/100 x 2.0	130 x 1/4	54.0
125	129/125 x 2.0	160 x 1/4	46.0
150	154/150 x 2.0	190 x 1/4	50.0



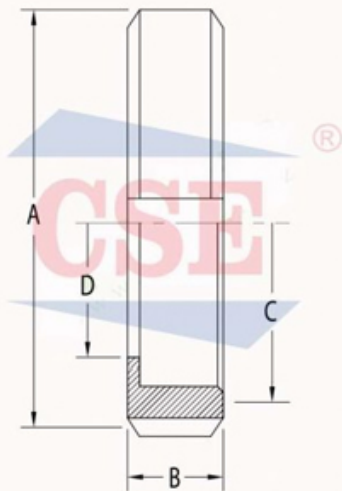
**DIN Union-Liner
Dimension (mm)**

Size (DIN)	OD / ID x t	A	B
10	13/10 x 1.5	22.0	17.0
15	19/16 x 1.5	28.0	17.0
20	23/20 x 1.5	36.0	18.0
25	29/26 x 1.5	44.0	22.0
32	35/32 x 1.5	50.0	25.0
40	41/38 x 1.5	56.0	26.0
50	53/50 x 1.5	68.0	28.0
65	70/66 x 2.0	86.0	32.0
80	85/81 x 2.0	100.0	37.0
100	104/100 x 2.0	121.0	44.0
125	129/125 x 2.0	150.0	34.0
150	154/150 x 2.0	176.0	37.0

DIN Union



DIN Union Dimension (mm)			
Size (DIN)	OD / ID x t	A	B
10	13/10 x 1.5	38.0	34.0
15	19/16 x 1.5	44.0	34.0
20	23/20 x 1.5	54.0	36.0
25	29/26 x 1.5	63.0	45.0
32	35/32 x 1.5	70.0	51.0
40	41/38 x 1.5	78.0	53.0
50	53/50 x 1.5	92.0	57.0
65	70/66 x 2.0	112.0	65.0
80	85/81 x 2.0	127.0	75.0
100	104/100 x 2.0	148.0	89.0
125	129/125 x 2.0	178.0	70.0
150	154/150 x 2.0	210.0	76.0



DIN Union-Nut Dimension (mm)				
Size (DIN)	A	B	C	D
10	38.0	18.0	28 x 1/8	19.0
15	44.0	18.0	34 x 1/8	25.0
20	54.0	20.0	44 x 1/6	31.0
25	63.0	21.0	52 x 1/6	36.0
32	70.0	21.0	58 x 1/6	42.0
40	78.0	21.0	65 x 1/6	49.0
50	92.0	22.0	78 x 1/6	62.0
65	112.0	25.0	95 x 1/6	80.0
80	127.0	29.0	110 x 1/4	94.0
100	148.0	31.0	130 x 1/4	115.0
125	178.0	35.0	160 x 1/4	138.0
150	210.0	40.0	190 x 1/4	164.0

Sản phẩm khác



—

[VAN BƯỚM VI SINH TAY GẠT HÀN](#)

[Xem thêm VAN BƯỚM VI SINH TAY GẠT HÀN](#)



—

[VAN BƯỚM VI SINH INOX TAY RÚT NỐI HÀN TIÊU CHUẨN SMS](#)

[Xem thêm VAN BƯỚM VI SINH INOX TAY RÚT NỐI HÀN TIÊU CHUẨN SMS](#)



—

[VAN BUỒM VI SINH INOX TAY RÚT NỐI HÀN TIÊU CHUẨN DIN](#)

[Xem thêm VAN BUỒM VI SINH INOX TAY RÚT NỐI HÀN TIÊU CHUẨN DIN](#)



—

[FERRULE VI SINH INOX 304/316 TIÊU CHUẨN DIN](#)

[Xem thêm FERRULE VI SINH INOX 304/316 TIÊU CHUẨN DIN](#)



—

[RẮC CO VI SINH INOX 304/316 TIÊU CHUẨN SMS](#)

[Xem thêm RẮC CO VI SINH INOX 304/316 TIÊU CHUẨN SMS](#)



—

[BẦU ĐỒNG TÂM VI SINH TIÊU CHUẨN DIN](#)

[Xem thêm BẦU ĐỒNG TÂM VI SINH TIÊU CHUẨN DIN](#)