



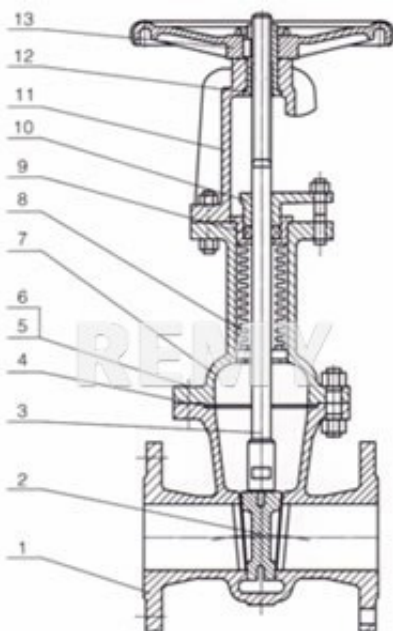
## **Van cổng A182 F316 Flange RF Class150**

Giá bán: **Liên hệ**

## Performance Specification

ASME Pressure Class	[MPa] Shell test	[MPa] Sealing test	(°C) Suitable temp	Suitable medium
150	3.0	2.2	≤350°C	Water oil gas
300	7.5	5.5		
600	15.0	7.5		
900	22.5	16.5		

## Materials

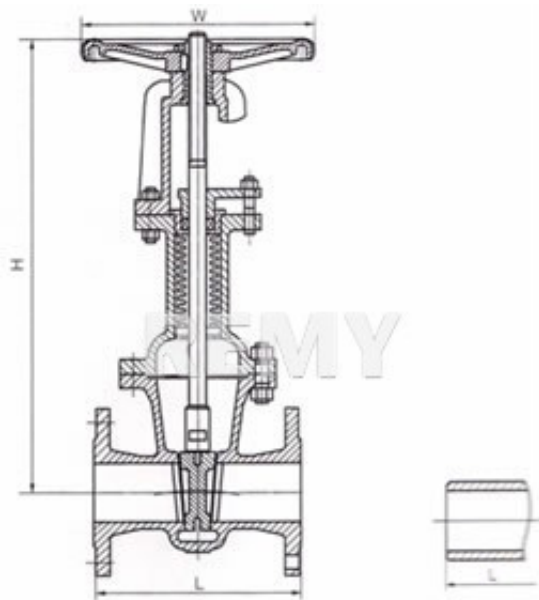


## Materials of ANSI Bellows Seal Gate Valves

NO.	Part name	Material
1	Body	ASTM A216-WCB ASTM A351-CF8, CF8M, CF3, CF3M
2	Disc	ASTM A182-Gr.F6a, ASTM A182-F22 ASTM A182-F304, F316, F312, F304L, F316L

3	Stem	ASTM A182-Gr.F6a, ASTM A182-F22 ASTM A182-F304, F316, F312, F304L, F316L
4	Gasket	Flexible graphite?stainless steel?PIFE
5	Bolt	ASTM A193-B7, A193-B8, A193-B8M
6	Nut	ASTM A194-2H, A194-8, A194-8M
7	Bonnet	ASTM, A216-WCB, ASTM A351-CF8, CF8M, CF3, CF3M
8	Bellows	ASTM A182-F304?F316?F321?F304L?F316L
9	Parking	Flexible graphite?PTFE
10	Gland	ASTM A216-WCB, ASTM A351-CF8, CF8M, CF3, CF3M
11	Yoke	ASTM A216-WCB, ASTM A351-CF8, CF8M, CF3, CF3M
12	Yoke nut	ZQA19-4
13	Hand Wheel	ASTM A536Gr.60-40-18, A216-WCB

## Dimensions and Weight



Pressure

150 Lb

Size	mm	15	20	25	32	40	50	65	80	100	125	150	200	250	300	350
	in	1/2	3/4	1	1-1/4	1-1/2	2	2-1/2	3	4	5	6	8	10	12	14
L		108	117	127	140	165	178	190	203	229	254	267	292	330	356	381
H		200	210	250	260	290	370	398	440	490	530	580	670	760	850	950
W		120	140	140	180	200	220	260	280	300	340	400	450	450	500	500
(Kg)Weight		8	9	10	15	22	30	42	55	70	100	140	180	250	350	450

Pressure

300Lb

Size	mm	15	20	25	32	40	50	65	80	100	125	150	200	250	300	350
	in	1/2	3/4	1	1-1/4	1-1/2	2	2-1/2	3	4	5	6	8	10	12	14

4 2 2

L	140	152	165	178	190	216	241	283	305	381	403	419	457	502	762
H	200	210	250	260	290	370	398	440	490	530	580	670	760	850	980
W	120	140	140	180	200	220	260	280	300	340	400	450	450	500	500
(Kg)Weight	9	10	12	18	25	38	53	70	88	125	175	225	310	440	560

Pressure

600 Lb

Size mm	15	20	25	32	40	50	65	80	100	125	150	200	250	300	350
in	1/2	3/4	1	1-1/4	1-1/2	2	2-1/2	3	4	5	6	8	10	12	14
L	165	190	216	229	241	292	330	356	432	508	559	660	787	838	889
H	200	210	250	260	290	370	398	440	490	530	580	670	760	850	980
W															

**Sản phẩm khác**



—

## [Van cổng inox 304 nối hàn](#)

[Xem thêm Van cổng inox 304 nối hàn](#)



—

## [Van cửa inox 304 nối hàn A182](#)

[Xem thêm Van cửa inox 304 nối hàn A182](#)



—

## [Van cầu hơi inox a182](#)

[Xem thêm Van cầu hơi inox a182](#)



—

## [Van cổng hàn lồng A105](#)

[Xem thêm Van cổng hàn lồng A105](#)



—

[Van hoi áp lực inox 304 nối hàn a105](#)

[Xem thêm Van hoi áp lực inox 304 nối hàn a105](#)



—

[Van cổng Mặt bích RF, A351-CF8M Class150](#)

[Xem thêm Van cổng Mặt bích RF, A351-CF8M Class150](#)